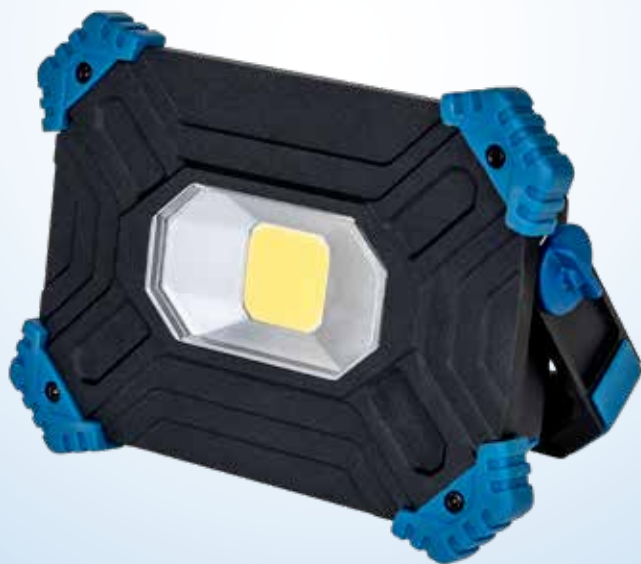


User Manual

WORKZONE[®]

RECHARGEABLE LED WORK LIGHT

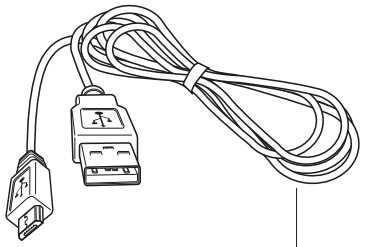
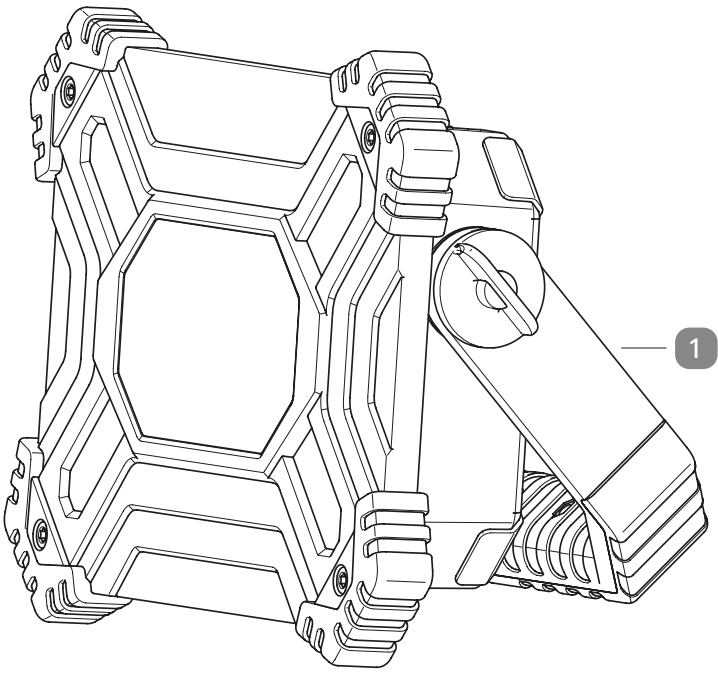


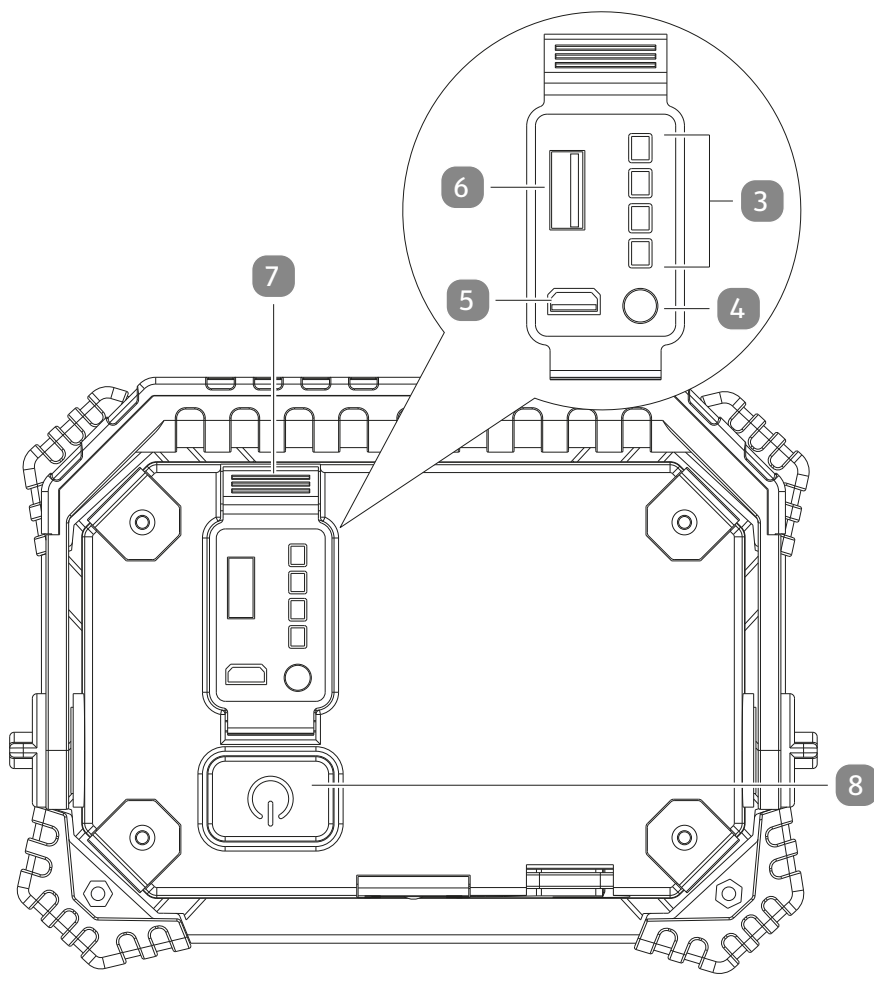
Original instructions

Table of contents

Table of contents	2
Components	5
General information	6
Reading and storing these instructions	6
Proper use.....	6
Explanation of symbols	6
Safety	7
Explanation of instructions.....	7
General safety information	8
First use	11
Checking the light and the package contents.....	11
Charging the light.....	11
Operation	12
Using the battery as a power bank.....	12
Cleaning	13
Technical data	14
Disposal	15
Disposing of packaging	15
Disposing of the product	15

A



B

Components

- | | | | |
|---|--------------------------------|---|------------------|
| 1 | Handle | 6 | USB port |
| 2 | USB charging cable | 7 | Protective cover |
| 3 | Battery level indicator | 8 | On/off switch |
| 4 | Battery level indicator button | | |
| 5 | Micro USB port | | |

General information

Reading and storing these instructions



These instructions are for this rechargeable work light (referred to as “light” below). They contain important information on setup and handling.

Before using the light, read the instructions for use carefully. This particularly applies to the safety instructions. Failure to do so may result in serious injury or damage to the light. Store these instructions for any further use. Make sure to include these instructions when passing the light on to third parties.

Proper use

The light is designed exclusively to illuminate indoor and outdoor working areas. It is only intended for personal use and is not suitable for commercial use.

Only use the light as described in the instructions. Any other use is considered improper and can result in material damage or even in harm to persons. The light is not a toy.

The manufacturer or retailer assumes no liability for damage resulting from improper or incorrect use.

Explanation of symbols



This symbol gives you useful additional information concerning operation.



Electronic devices labeled with this symbol conform to protection class III. This means that the light runs with low voltage and is operated with safety extra-low voltage (SELV).



Devices labeled with this symbol are operated with direct current.



USB port

IP65

Complete protection against penetration of solid bodies as well as dust and protection against hose water.



The RCM Mark (Regulatory Compliance Mark) indicates that the product complies with the relevant guidelines of the ACMA as well as corresponding government requirements for the safety of electrical devices.

Safety

Explanation of instructions

The following symbols and signal words are used in these instructions.



WARNING!

This signal symbol/word refers to a hazard with a medium level of risk that, if not avoided, may result in death or serious injury.



CAUTION!

This signal symbol/word refers to a hazard with a low level of risk that, if not avoided, may result in minor or moderate injury.

NOTICE!

This signal word warns of possible material damage.

General safety information



Risk of electric shock!

Faulty installation of electronics or an excessively high supply voltage may result in electric shock.

- The light source of this work light is not replaceable. When the light source has reached its end of life, replace the entire work light.
- Only plug the USB port into an easily accessible outlet. You can quickly disconnect the product from the power grid in the event of an incident.
- Do not operate the light if it is visibly damaged or if the USB charging cable is defective.
- Do not open the housing. Contact a specialist workshop, for repairs. If you perform repairs on your own, improperly plug in the light or incorrectly operate it, any liability and warranty claims will be deemed invalid.
- In the case of repairs, only parts that correspond to the original device data may be used. This light contains electrical and mechanical parts that are essential to ensuring protection against sources of danger.
- Do not submerge the light or the USB charging cable in water or other liquids.
- Do not position the light above tubs, sinks or other objects filled with water.
- Never try to pick up an electronic device connected to the grid if it has fallen into water. If this happens, immediately unplug the power plug from the outlet.
- Keep the light and the USB charging cable away from open flames and hot surfaces.
- Do not bend the USB charging cable or lay it over sharp edges.
- If the battery is fully charged, you would like to clean the light or a malfunction occurs, always switch off the light and unplug the USB charging cable out of the USB ports.
- Keep the light and the USB charging cable away from children.
- The battery cannot be replaced. Never try to replace the battery.
- Only charge the battery indoors.



Risks to children and people with reduced physical, sensory or mental capabilities (for example, partially disabled people, older people with limited physical and mental capabilities) or a lack of experience and knowledge.

- This light can be used by children aged eight and older as well as by people with reduced physical, sensory or mental capabilities or a lack of experience and knowledge if they are supervised or have been instructed in the safe use of the light and understand the dangers that result from said use. Children may not play with the light. Cleaning and user maintenance may not be done by children without supervision.
- Keep children younger than eight years of age away from the light and the connecting line.
- Do not let children play with the packaging film. Children may get caught in it and suffocate if they play with it.



Explosion and fire hazard!

Improperly handling the light and the battery may cause an explosion or a fire.

- Keep the light away from liquids, open flames and hot surfaces. Do not immerse the light in water.
- Do not cover the light with items or clothing.
- Maintain a distance of at least 2 inches from highly flammable materials.
- Do not expose the light to excessive heat, such as direct sunlight, fire or the like.
- Only charge the light using the supplied accessories.
- Do not dispose the battery into fire or a hot oven, or mechanically crushing or cutting of a battery.
- Do not expose the battery to low air pressure.



Risk of chemical burn!

Leaking battery fluid may cause burns if it comes into contact with skin or other parts of the body.

- If battery fluid is leaking, avoid contact with skin, eyes and mucous membranes. If you come into contact with battery fluid, immediately rinse the affected areas with a generous amount of clean water and seek medical attention right away.
- If a battery is leaking, make sure to wear protective gloves and remove the leaking battery fluid using a dry, absorbent cloth.



CAUTION!

Risk of injury!

The LED light is very bright and may damage your eyes if you look directly into it.

- Never look directly into the lit LED of the light.
- When using the light, make sure that you do not shine it in anyone's eyes or in the eyes of other living things.

NOTICE!

Risk of damage!

Improperly handling the light may cause it to become damaged.

- The light source of this light cannot be replaced. If the light source has reached the end of its life cycle, replace the entire light.
- Install the light on an easily accessible, level, dry, heat-resistant, and sufficiently stable work surface. Do not place the light on the edge of the surface.
- Never place the light on or near hot surfaces (hotplates, etc.).
- Do not bring the USB charging cable into contact with hot parts.
- Do not expose the light to bad weather.
- Do not use the light for long period. To avoid harmful deep discharging, recharge the battery after each use.
- If you do not want to use the light for a long period of time, charge the battery before storage.
- The light cannot be dimmed and may not be operated with an external dimmer.

First use

Checking the light and the package contents

NOTICE!

Risk of damage!

If you open the packaging carelessly using a sharp knife or other sharp objects, the light may quickly become damaged.

1. Remove the light from the packaging
2. Check the package for completeness (see **Fig. A**).
3. Check whether the light or the individual parts are damaged. If this is the case, do not use the light. Contact the manufacturer via the service address indicated on the warranty card.

Charging the light

Before using the light for the first time, you must first fully charge the light's battery. A full charge usually takes approx. 8 hours.

1. Make sure that the light is switched off.
2. Unwind the USB charging cable **2** completely.
3. Plug the supplied micro-USB/USB cable into the micro-USB **5** on the light (see **Fig. B**) and connect the cable to a computer, laptop, etc. that has a USB port.
4. While charging, the battery level indicator **3** flashes green. (see **Fig. B**).
5. As soon as the battery is fully charged, all four lights on the battery level indicator will shine green. Disconnect the light from the power supply.

Operation



The product cannot be switched on during the charge process. It is, therefore, not suitable for continuous operation.

The light provides three levels of brightness (100%, 50%, and 25%).

1. To find out the battery's charging level, press the Battery level indicator button **4** to view the battery level indicator (see **Fig. B**).

If the battery is fully charged, all four lights on the battery level indicator **3** shine green. The lower the charging level, the lower the number of lit lights. Each light represents 25% of the battery charge. The operating time on a fully charged battery is approx. 2 hours.

2. Using the handle **1** carry the light to the desired location of use.
3. To set up the light, unfold the handle in such a way that the light hits the area of use at the desired angle.
4. To switch on the light, press the on/off switch **8** (see **Fig. B**).
The LED shines at 100% brightness level.
5. To reduce the brightness, press the on/off switch very lightly.
The LED shines at 50% brightness level.
6. To further reduce the brightness, press the on/off switch very lightly once again.
The LED shines at 25% brightness level.
7. Press the on/off switch a third time to switch off the light.

Using the battery as a power bank

- Connect the device you would like to charge to the light via a USB charging cable (not included) by plugging the USB connector into the USB port **6** (see **Fig. B**).

Cleaning

NOTICE!

Risk of damage!

Improperly handling the light may cause it to become damaged.

- Do not use any abrasive cleaning agents, brushes with metal or nylon bristles or any sharp or metallic cleaning accessories such as knives, hard scrapers and the like. They may damage the surfaces of the light.
- Do not submerge the light or the USB cable in water for cleaning and do not under any circumstances put the parts in a dishwasher.
- Do not clean the light or the USB cable under running water and refrain from spraying the parts with a garden hose or high-pressure cleaner.
- Remove dust and dirt from the light using a soft, slightly damp cloth.
- If necessary, use a mild detergent for stubborn dirt.

Storage

- Fully charge the battery before storage (see the chapter “Charging the light”).
- Always store the light in a dry place (an indoor environment or garage) that is protected from direct sunlight and out of the reach of children.

Technical data

Light

Model:	869
Item number:	818478
Dimensions (H × B × T):	approx. 7 x 5 x 1.7 inches (175 x 127 x 44 mm)
Material:	Housing: Aluminium and plastic Handle: Aluminium and plastic
Input voltage:	5 V ---
Protection class:	III
Lamp:	LEDs (not replaceable)
LED power:	20 W
Luminous output:	2,000 lm \pm 10 % (100 % brightness), 1,000 lm \pm 10 % (50 % brightness), 500 lm \pm 10 % (25 % brightness)
Beam angle:	105°
Dimmable:	no
Battery type:	Li-Ion 3.7 V, 6 600 mAh
Protective glass:	Plastic (PC)
Protection:	IP 65 – Complete protection against penetration of solid bodies as well as dust and protection against hose water.
Power bank output voltage:	5 V --- , max. 1 A
Weight:	700 g
Maximum projected area of the floodlight:	3411 mm ²

Disposal

Disposing of packaging

Please dispose of package in an environmentally friendly way.

Disposing of the product

If the product should no longer work at all, please make sure that it is disposed of in an environmentally friendly way and according to local regulations.

Batteries and rechargeable batteries may not be disposed of with household waste!

As the end user, you are required by law to bring all batteries and rechargeable batteries, regardless whether they contain harmful substances* or not, to a collection point run by the city, county, or state, or to a retailer, so that they can be disposed of in an environmentally friendly manner.

*labeled with: Cd = cadmium, Hg = mercury, Li= Lithium, Pb = lead

ALDI guarantees that our exclusive brand products are developed to our stringent quality specifications. If you are not entirely satisfied with this product, please return it to the nearest ALDI store within 60 days from the date of purchase, for a full refund or replacement, or take advantage of our after sales support by calling the supplier's Customer Service Hotline.

AU

Made in China

WORKZONE® is a registered trademark of ALDI Stores

DISTRIBUTED BY:

ALDI STORES

1 SARGENTS ROAD

MINCHINBURY NSW 2770

www.aldi.com.au



10/2022

AFTER SALES SUPPORT

818478



AU

1800 898 750



service@wkfe.com.hk

MODEL:

869

10/2022

3

YEAR
WARRANTY