

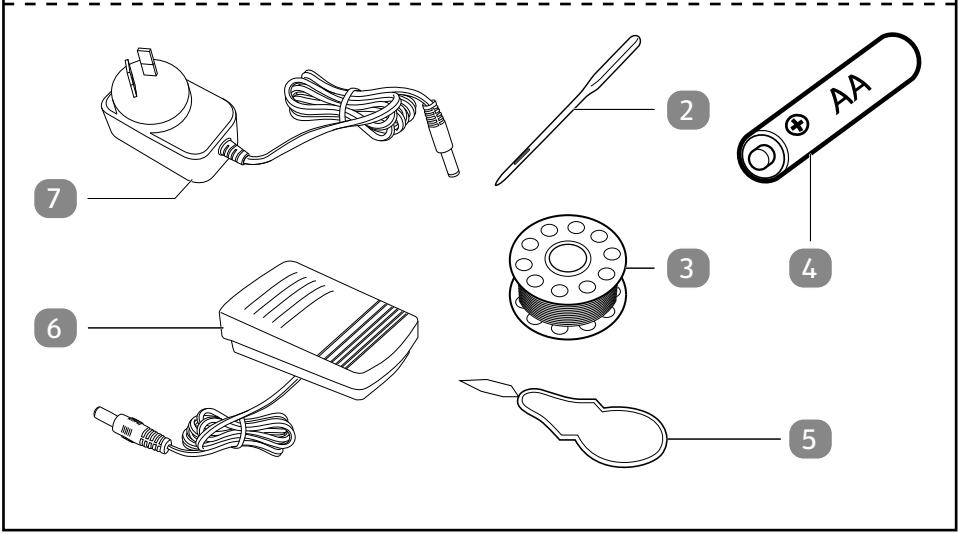
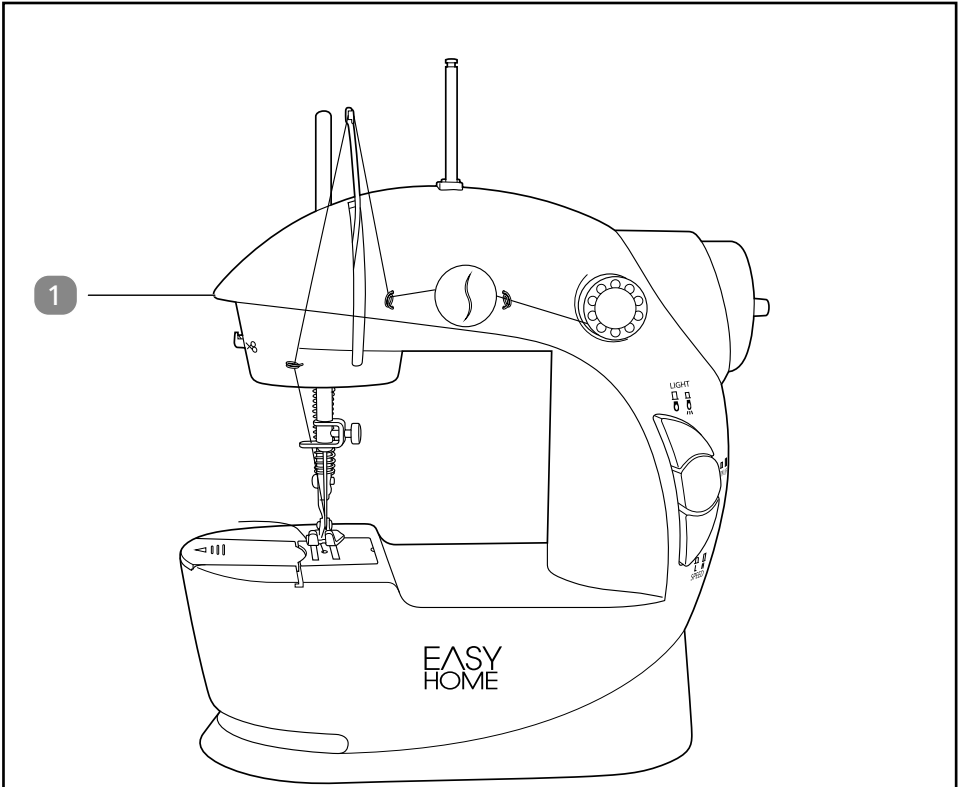
User manual

EASY
HOME®

LAUNDRY

MINI-SEWING MACHINE





Contents

- 1 Sewing machine
- 2 Needle, 4×
- 3 Bobbin, 6×
- 4 LR6 battery (AA, 1.5 V), 4×
- 5 Threader
- 6 Foot pedal
- 7 Mains adapter



The package contents includes four 1.5 V batteries, type LR6 (AA).

Table of contents

Contents	3
Table of contents.....	4
General information	5
Reading and storing the user manual	5
Proper use.....	5
Explanation of symbols	5
Safety.....	6
Explanation of notes	6
General safety notes.....	6
Battery notes	10
Product description	12
First use	14
Checking the product and package contents.....	14
Preparing for battery operation.....	14
Preparing for mains operation.....	16
Connecting the foot pedal.....	16
Threading the upper thread	17
Using the threader.....	20
Threading the bobbin thread	20
Adjusting the thread tension	24
Operation	24
Sewing.....	26
Changing the sewing direction.....	28
Ending the sewing process	29
Spooling	31
Changing the needle	33
Troubleshooting	35
Cleaning.....	37
Storage	38
Technical data	38
Disposal	39
Disposing of the packaging	39
Disposing of the sewing machine.....	39
Warranty Details.....	40
Repair and Refurbished Goods or Parts Notice	41

General information

Reading and storing the user manual



This user manual is part of this mini-sewing machine (referred to below only as the “sewing machine”). It contains important information about start-up and handling.

Before using the sewing machine, please read through the user manual carefully. This applies in particular to the safety instructions. Failure to follow this user manual may result in serious injury or damage to the product.

Store the user manual for future use. If you pass the sewing machine on to third parties, please be absolutely sure to include this user manual.

Proper use

The sewing machine is designed solely for sewing fabrics. It is intended for private use only and is not suitable for commercial purposes.

Use the sewing machine only as described in this user manual. Any other use is deemed improper and may result in damage to property or even personal injury. The sewing machine is not a toy.

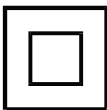
The manufacturer or vendor accepts no liability for damage caused by improper or incorrect use.

Explanation of symbols

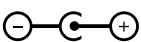
The following symbols are used in this user manual, on the product or on the packaging.



This symbol provides you with useful additional information about start-up or operation.



This symbol identifies electrical devices that belong to the protection class 2.



Positive polarity: the sewing machine's mains adapter connection has a positive inner conductor.



The RCM Mark (Regulatory Compliance mark) indicates that the product complies with the relevant guidelines of eh ACMA as well as corresponding government requirements for the safety of electrical devices.

Safety

Explanation of notes

The following symbols and signal words are used in this user manual.



This symbol/signal word designates a hazard with moderate degree of risk which may lead to death or severe injury if not avoided.



This signal symbol/word designates a hazard with low risk that, if not avoided, may result in minor or moderate injury.



This signal word warns against potential damages to property.

General safety notes



Risk of electric shock!

A faulty electrical installation or excessive mains voltage may result in an electric shock.

- Only connect the sewing machine if the mains voltage of the socket corresponds to the specification on the rating plate.
- Connect the sewing machine only to an easily accessible socket so that you can quickly disconnect the sewing machine from the power supply in the event of a fault.
- Do not operate the sewing machine if it exhibits visible damage or if the mains cord or mains plug is defective.
- If the mains cord of the mains adapter and the foot pedal is damaged, to avoid hazard it must be replaced with an equivalent connector cable that can be obtained from the manufacturer or their after-sales support.

-
- Do not open the housing; instead, have a qualified professional carry out repairs. Contact a qualified workshop for this. Liability and warranty claims are waived in the event of repairs performed by the user, improper connection or incorrect operation.
 - Only parts that comply with the original device data may be used for repairs. There are electrical and mechanical parts in this sewing machine that are essential for providing protection against potential dangers.
 - Do not operate the sewing machine with an external timer or separate remote control system.
 - Do not immerse the sewing machine, mains cord, foot pedal or mains plug in water or other liquids.
 - Never touch the mains plug with wet hands.
 - Never pull the mains plug out of the socket by the mains cord. Instead, always hold on to the mains plug while doing so.
 - Never use the mains cord as a carrying handle.
 - Keep the sewing machine, mains plug and mains cord away from open flames and hot surfaces.
 - Arrange the mains cord so that it does not pose a tripping hazard.
 - Do not kink the mains cord and do not lay it over sharp edges.
 - Only use the sewing machine indoors. Never use it in wet rooms or in the rain.
 - Never store the sewing machine in such a way that it could fall into a bath or wash basin.
 - Never reach to retrieve an electrical device if it has fallen in water. In such a case, immediately disconnect the mains plug from the socket.
 - Make sure that children do not insert any objects into the sewing machine.
 - Always switch the sewing machine off, pull the mains plug out of the socket and remove the batteries from the battery compartment when you are not using the sewing machine, when you are cleaning or servicing it, or in the event of a fault.
 - Only use the sewing machine with the enclosed mains adapter.



Danger for children and persons with impaired physical, sensory or mental capacities (e.g. partially disabled persons, older persons with reduced physical and mental capacities) or lack of experience and knowledge (e.g. older children).

- This sewing machine may be used by children aged eight and over and by persons with impaired physical, sensory or mental capacities or those lacking experience and knowledge if they are supervised or have been instructed in how to use the sewing machine safely and have understood the risks associated with it. Do not allow children to play with the sewing machine. Cleaning and user maintenance must not be performed by unsupervised children.
- Keep children under eight years of age away from the sewing machine and the connection cable.
- Do not leave the sewing machine unattended while in operation.
- Do not let children play with the packaging film. Children may get caught in it when playing and suffocate.



Risk of injury!

Careless and improper handling of the sewing machine may result in injury.

- Keep fingers away from all moving parts. Take particular care with the needle.
- Do not attempt to sew clothing that you are (or another person is) currently wearing. Remove clothing before sewing.
- Turn the sewing machine off and pull the mains plug out of the socket if you leave the sewing machine unattended.
- Unplug the appliance before carrying out maintenance.

NOTICE!**Risk of damage!**

Improper handling of the sewing machine may damage it.

- Place the sewing machine on an easily accessible, level, dry, heat-resistant and sufficiently stable work surface. Do not place the sewing machine on the edge or corner of the work surface.
- Never place the sewing machine on or near hot surfaces (e.g. stove tops etc.).
- Ensure that the mains cord does not come into contact with hot parts.
- Never expose the sewing machine to high temperatures (heaters etc.) or to the effects of the weather (rain etc.).
- Never fill the sewing machine with liquid.
- Never attempt to clean the sewing machine by submerging it in water and do not use a steam cleaner to clean it. Otherwise, the sewing machine could be damaged.
- Do not place any heavy objects on the sewing machine.
- Do not let the sewing machine fall and do not subject it to harsh impacts.
- Never put the sewing machine in a dishwasher. It would be destroyed as a result.
- Stop using the sewing machine if its plastic parts exhibit cracks or breaks or are deformed. Only replace damaged parts with corresponding original spare parts.
- Always use the same denier for upper threads and bobbin threads.
- Only use the bobbins supplied.
- Do not move the sewing machine during operation.
- Do not insert objects into the sewing machine openings.

Battery notes



Risk of injury!

Mishandling of the supplied batteries may cause gas leakage, electrolyte (battery fluid) leakage, fire or explosion.

- Do not short-circuit the batteries.
- To avoid short circuits, store unpacked batteries so that the battery contacts do not touch one another. Ideally store the batteries in their original packaging.
- Keep unpacked batteries away from metal objects to avoid short circuits.
- Do not take the batteries apart.
- Do not modify the batteries in any way.
- Do not crush, deform or drill the batteries.
- Do not throw the batteries into an open fire.
- Do not heat the batteries or carry out welding or soldering directly next to them.
- Stop using the batteries if they are damaged.
- Do not attempt to charge the batteries.
- Avoid over-discharging the batteries.
- Always change the entire set of batteries. Never mix old and new batteries or batteries with different charges.
- Only replace the batteries with the same or an equivalent battery type.
- When inserting batteries, ensure that the battery polarity is correct (positive (+) and negative (-)).
- Remove empty batteries from the sewing machine.
- Rechargeable batteries must be removed from the sewing machine before charging.

**WARNING!****Risk to health and suffocation hazard!**

Swallowing batteries can cause suffocation. It may also cause poisoning or internal burns if a battery which has been swallowed then leaks.

- Do not allow children to play with the batteries.
- Only allow children to change the batteries under supervision.
- Keep batteries out of reach of children.
- Immediately consult a doctor if a battery has been swallowed.

**CAUTION!****Risk of injury!**

In case of malfunction or damage, electrolyte (battery fluid) may leak from the batteries, which can cause burns if touched.

- Do not touch leaky batteries.
- Avoid all contact with leaked electrolyte.
- Should contact with leaked electrolyte occur, wipe the area with clean water immediately.
- Immediately consult a doctor if leaked electrolyte comes into contact with eyes.

NOTICE!**Risk of damage!**

If discharged batteries remain in an appliance for too long, electrolyte may leak out, causing damage to the appliance.

- Remove depleted batteries from the sewing machine and dispose of them according to the applicable legal requirements.

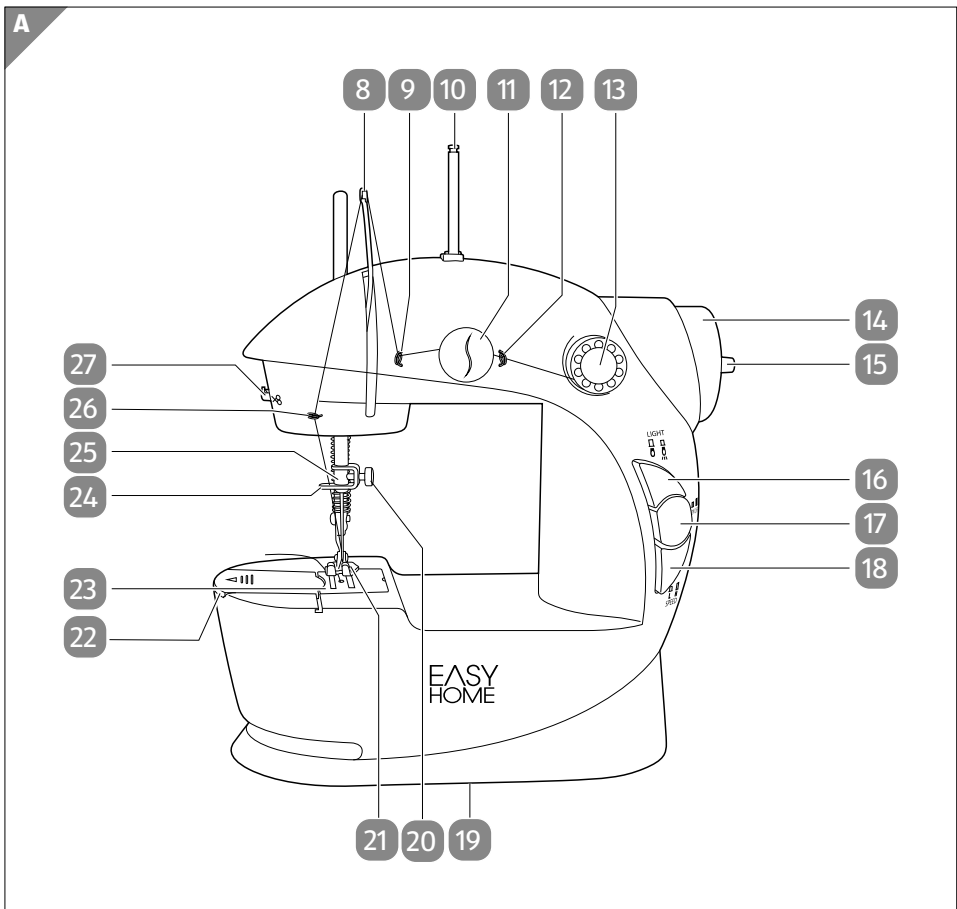
NOTICE!

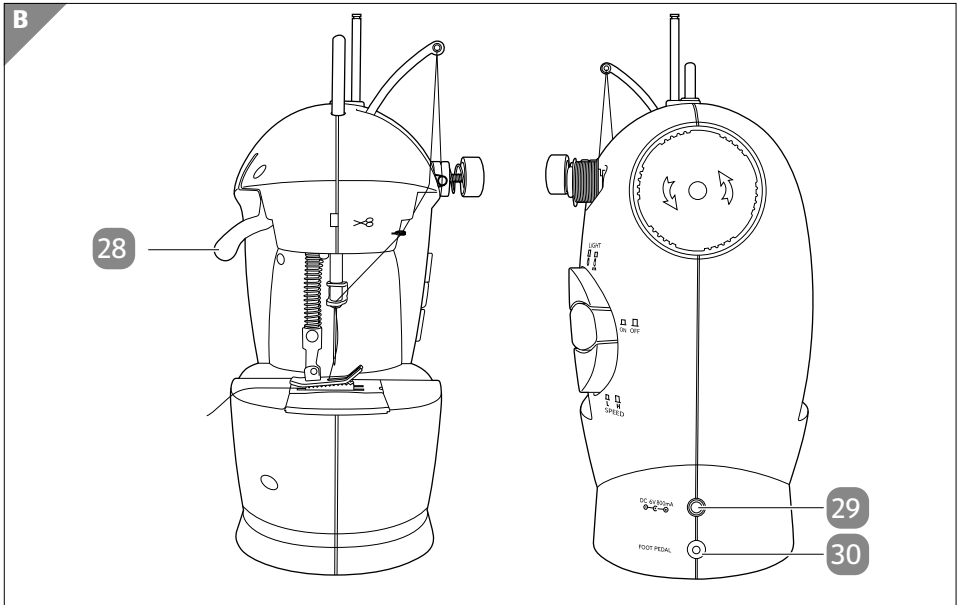
Risk of damage!

Improper storage can damage the batteries.

- Remove batteries from the sewing machine if it is not going to be used for an extended period of time.
- Store the batteries in a cool, dry place.

Product description





- | | | | |
|----|--------------------------|----|------------------------------|
| 8 | Take-up lever | 18 | Speed switch (L=slow/H=fast) |
| 9 | Thread guide 2 | 19 | Battery compartment |
| 10 | Spool holder | 20 | Needle thumbscrew |
| 11 | Upper thread tensioner | 21 | Presser foot |
| 12 | Thread guide 1 | 22 | Bobbin compartment |
| 13 | Bobbin holder | 23 | Needle plate |
| 14 | Handwheel | 24 | Thread eyelet |
| 15 | Bobbin winder | 25 | Needle clamp |
| 16 | Light switch | 26 | Thread guide 3 |
| 17 | On/off switch | 27 | Thread cutter |
| 28 | Presser foot lever | 30 | Foot pedal connection |
| 29 | Mains adapter connection | | |

First use

Checking the product and package contents

NOTICE!

Risk of damage!

If you are not cautious when opening the packaging with a sharp knife or other pointed objects, you may quickly damage the sewing machine.

- Be very careful when opening it.
 1. Remove the sewing machine from the packaging.
 2. Check to make sure that the delivery is complete (see **Fig. A on page 2**).
 3. Check the sewing machine and the individual parts for signs of damage. If any damage is evident, do not use the sewing machine. Contact the warrantor by following the instructions on the warranty card.



You can connect the sewing machine to the mains supply or operate it with batteries.

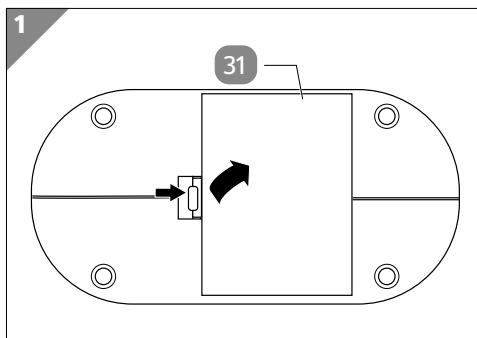
Preparing for battery operation



Risk of explosion or fire!

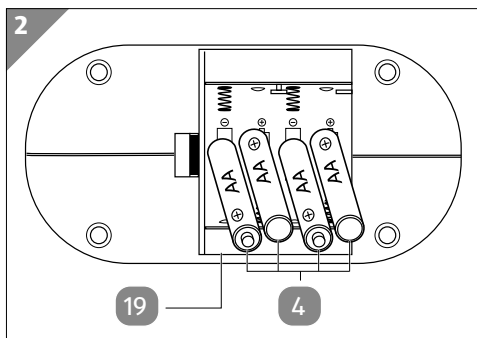
If batteries are inserted upside down, they may be short-circuited or charged. This may result in overheating, explosion or fire.

- Make sure that the polarity is correct when inserting the battery.

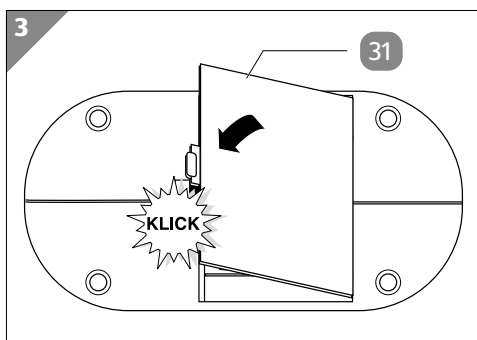


1. Remove the battery cover **31** to open the battery compartment **19** on the underside of the sewing machine.

31 Battery compartment cover

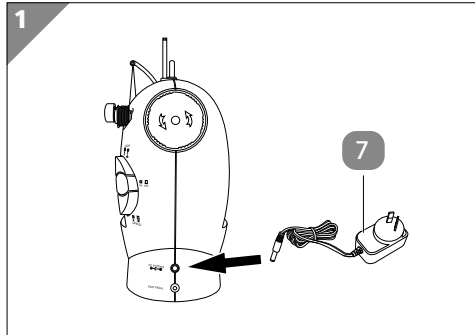


2. Insert the supplied LR6 batteries **4** into the corresponding slots in the battery compartment **19**. Make sure the polarity is correct (+/-).



3. Replace the battery compartment cover **31** and snap shut. It must click audibly into place.

Preparing for mains operation



1. Connect the mains adapter **7** to the mains adapter connector **29** on the sewing machine (see **Fig. 1**).
2. Insert the mains plug into a properly installed and easily accessible socket.
3. To disconnect the appliance from the mains, first pull the mains plug out of the mains socket and then pull the other end out of the mains adapter connector on the sewing machine.

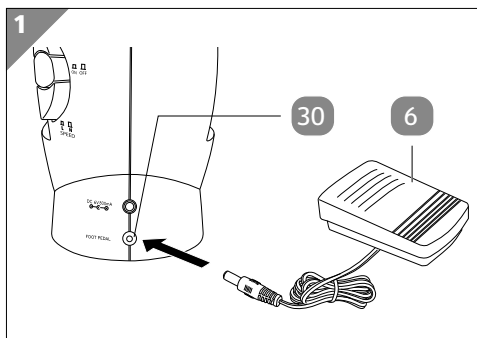
Connecting the foot pedal



Risk of injury!

Careless and improper handling of the sewing machine may result in injury.

- Please ensure that the on/off switch is not actuated when you connect and operate the foot pedal!
- Ensure that nothing rests on the foot pedal while the sewing machine is not in use!



The sewing machine can be started/stopped using either the on/off switch (17) or the foot pedal (6).

- Connect the foot pedal plug to the foot pedal connection (30) on the sewing machine and place the foot pedal on the floor (see Fig. 1).

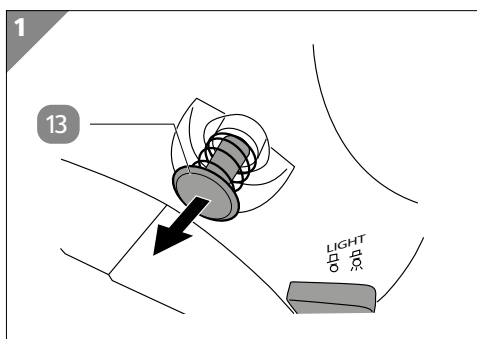
The sewing machine starts when you press the foot pedal. The sewing machine stops when you release the foot pedal.

Threading the upper thread

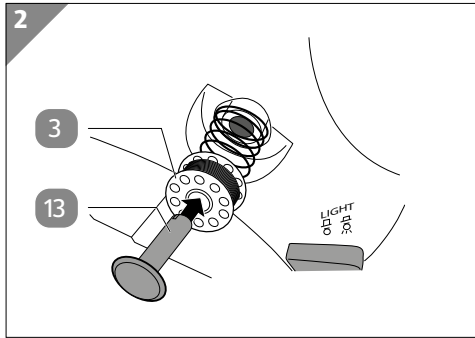


- When selecting thread, ensure it is suitable for sewing machines. Unsuitable thread can quickly break while sewing.
- If the sewing machine has been supplied pre-threaded, carefully study the thread guide before re-threading.

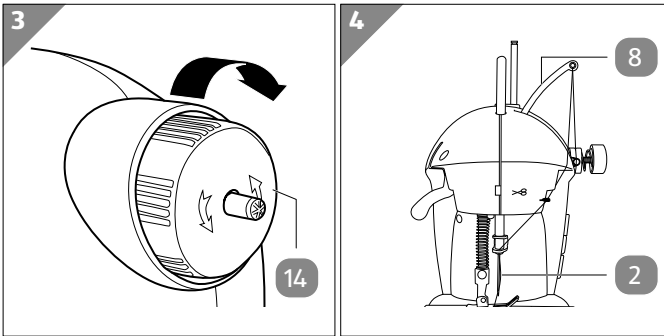
1. Place the sewing machine on a table or another level and dry surface.



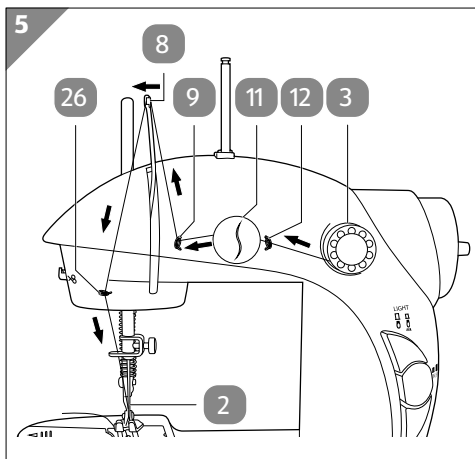
2. Pull the bobbin holder out and remove the spring (see Fig. 1).



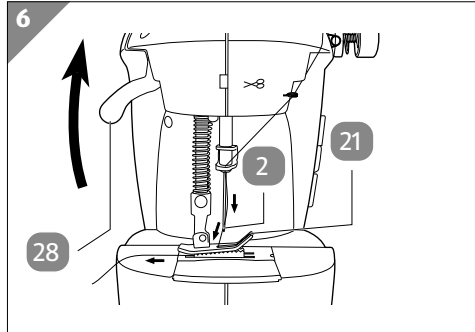
3. Insert one of the bobbins **3** supplied and then the spring onto the bobbin holder **13**. Firmly press the bobbin holder (with the spring) back into the opening (see **Fig. 2**).



4. Turn the handwheel **14** clockwise until the needle **2** and the take-up lever **8** are up (see **Fig. 3** and **4**).



5. Pass the end of the thread through thread guide 1 **12** (from right to left) (see **Fig. 5**).
6. From above, pass the thread between both discs of the upper thread tensioner **11** and pass it through thread guide 2 **9**.
7. Pull the thread through the thread guide on the take-up lever (from right to left), then through thread guide 3 **26** (from top to bottom) and then through the thread eyelet **24** (from top to bottom) above the needle.

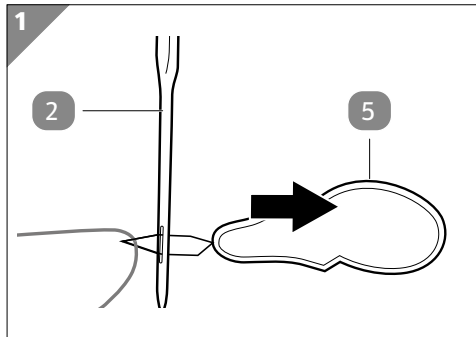


8. Thread the needle from left to right. You can also use the threader **5** if necessary (see chapter “Using the threader”) (see **Fig. 6**).
9. Lift the presser foot lever **28** until it snaps into place and position the thread in the gap of the presser foot **21**.
10. Pull the thread through by approx. 10 cm and position it to the rear so the end of the thread points away from you.



- As well as a bobbin holder, the sewing machine has a spool holder **10** for using standard spools for the upper thread. Thread spools are used in a similar way to thread bobbins. Pull the spool holder all the way out and place a spool of thread on it. The threading process works exactly the same way as with the bobbin.
- Use both holders simultaneously for 3-thread sewing (sewing with two upper threads and one bobbin thread). Thread from the spool holder is threaded along with thread from the bobbin holder.

Using the threader

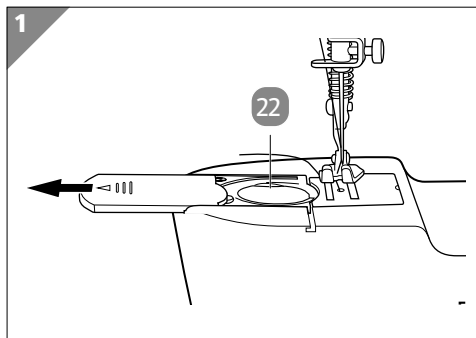


1. Pass the wire loop of the threader **5** through the eye of the needle **2** from right to left (see **Fig. 1**).
2. Insert the thread through the wire loop.
3. Pull the wire loop (with the thread) out through the eye of the needle.
4. Remove the thread from the wire loop.

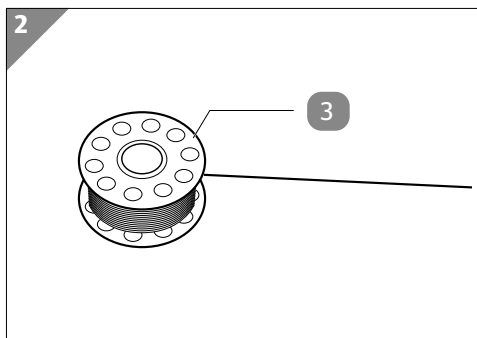
Threading the bobbin thread



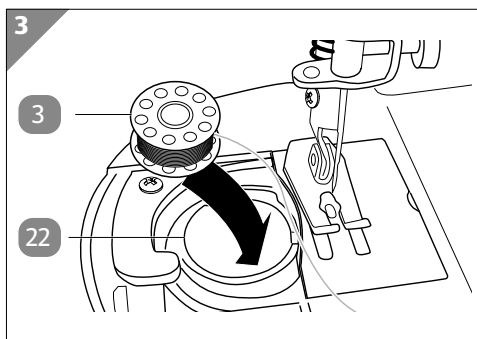
- Only use the bobbins supplied!
- The upper thread must be threaded before you thread the bobbin thread.



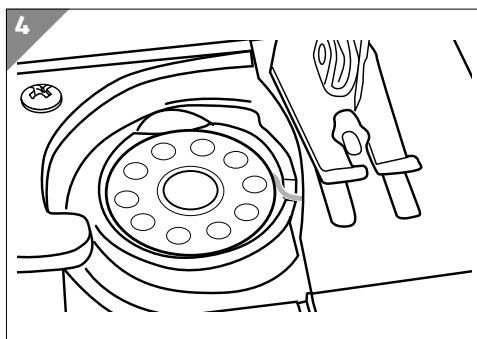
1. Remove the cover of the bobbin compartment **22** by sliding it to the left (see **Fig. 1**).



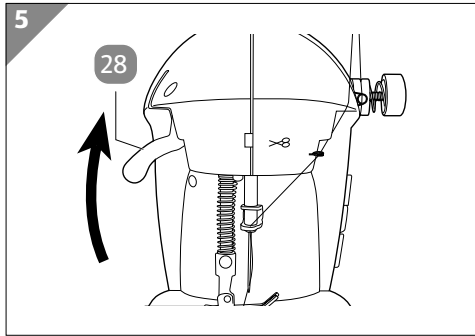
2. Remove the supplied bobbin **3** and unwind approx. 10 cm of the thread (see **Fig. 2**).



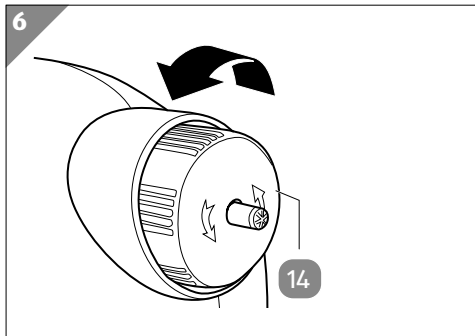
3. Position the bobbin in the bobbin compartment, ensuring it turns clockwise when you pull the thread (see **Fig. 3**).



4. Place the thread in the slot in the bobbin compartment (see **Fig. 4**).

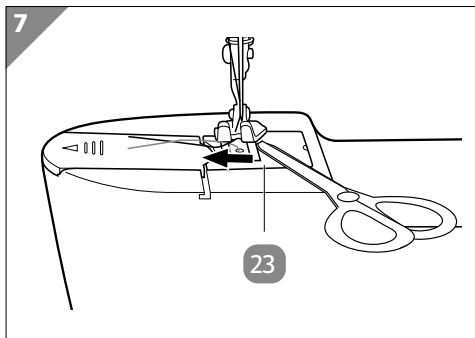


5. Raise the presser foot lever **28** to raise the presser foot (see **Fig. 5**).



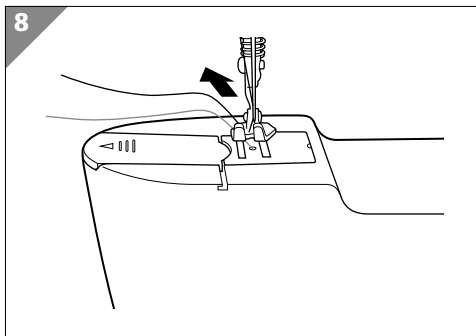
6. Hold the upper thread firmly and turn the handwheel **14** (anti-clockwise) towards you (see **Fig. 6**).

The needle **2** dips into the bobbin compartment and when raised retrieves the bobbin thread using a loop.

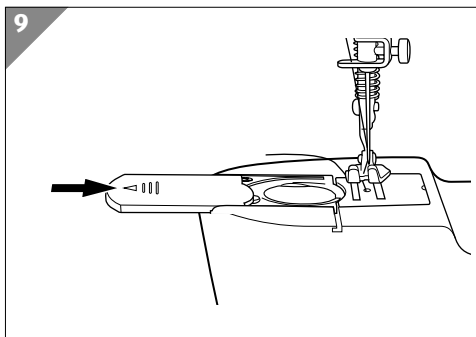


7. If this loop has been formed, pull on the upper thread slightly and retrieve the end of the bobbin thread with a needle or scissors.

The bobbin thread should now be pulled through the small hole in the needle plate **23** (see **Fig. 7**).



8. Now bring both thread ends together, pull these out by approx. 15 cm and position to the rear below the presser foot (see **Fig. 8**).



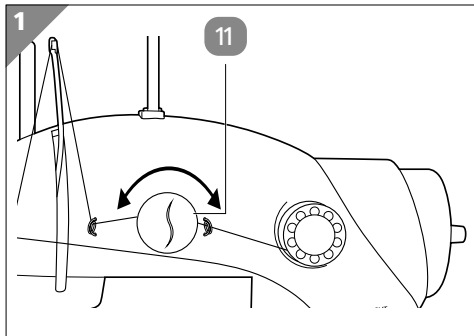
9. Replace the cover of the bobbin compartment (see **Fig. 9**).

Adjusting the thread tension

If the thread breaks while sewing, the thread tension is too high. If small loops appear while sewing, the thread tension is too low. In both cases the thread tension must be adjusted. In doing so, the upper thread and bobbin thread tension must be proportionate.

The tension must also be adjusted for different fabrics. The required tension depends on the strength and thickness of the fabric, and on how many layers of fabric are to be sewn. For example, a higher upper thread tension is required for fine fabrics. If the stitches are too loose, the upper thread tension is set too low.

Before you start sewing, we recommend that you carry out a test stitch on a scrap piece of fabric to check that the thread tension is set correctly.



- Turn the upper thread tensioner **11** anti-clockwise to relax the tension (see **Fig. 1**).
- Turn the upper thread tensioner anti-clockwise to relax the tension.



The bobbin thread tension cannot be adjusted.

Operation



Risk of injury!

Careless and improper handling of the sewing machine may result in injury.

- Keep fingers away from all moving parts. Take particular care with the needle.

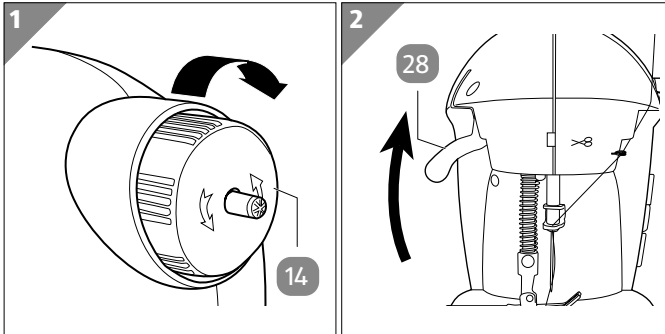
-
- Switch the sewing machine off and disconnect the mains plug from the socket when the sewing machine is unused and unattended.

NOTICE!**Risk of damage!**

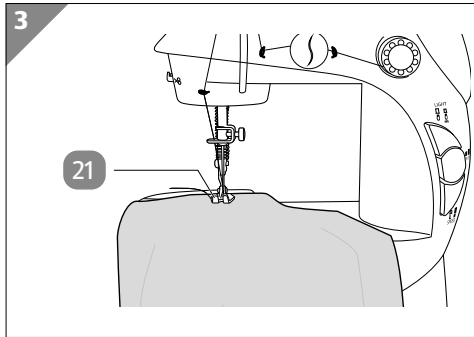
Improper handling of the sewing machine may damage it or cause poor sewing results.

- Ensure that the upper thread and bobbin thread are correctly guided through the sewing machine. Incorrect threading may cause the thread to break, stitches may be skipped, or the fabric may pucker along the seam. In certain circumstances the sewing machine may be damaged.
- First practice with a fabric remnant before you start sewing in earnest. Check the thread tension.
- Ensure that the threads and the fabric are correctly positioned in the sewing machine before you operate the on/off switch or the foot pedal. The sewing machine starts immediately when the on/off switch or the foot pedal is actuated.
- Do not pull or push the fabric while sewing. This can break the needle and damage the sewing machine.
- The sewing machine does not sew fabric in reverse operation (manual operation). Constant and extended reverse operation harms the sewing machine and can damage it in the long term.

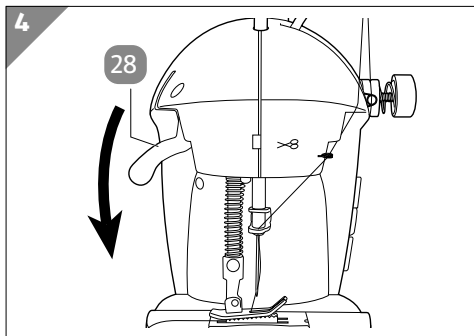
Sewing



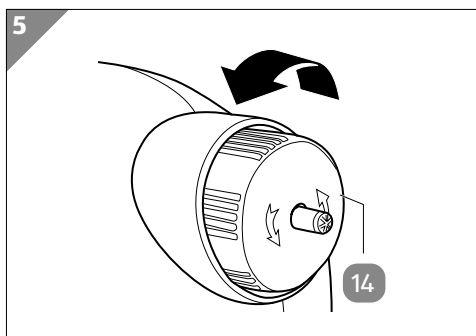
1. Raise the needle by turning the handwheel **14** (clockwise) away from you and lift the presser foot lever **28** to raise the presser foot (see **Fig. 1** and **2**).



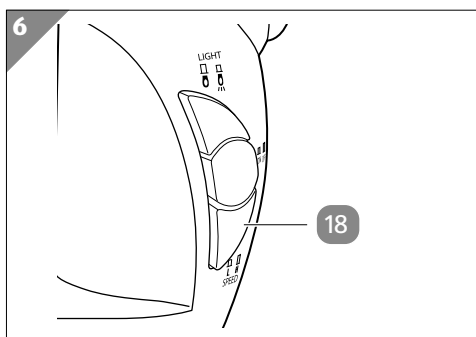
2. Place the fabric between the presser foot **21** and the needle plate **23** so the needle is approx. 1 cm from the edge of the fabric. During sewing the fabric moves backwards, away from you. Therefore it must be placed in front of the sewing machine (see **Fig. 3**).



3. Lower the presser foot lever **28** to lower the presser foot (see **Fig. 4**).



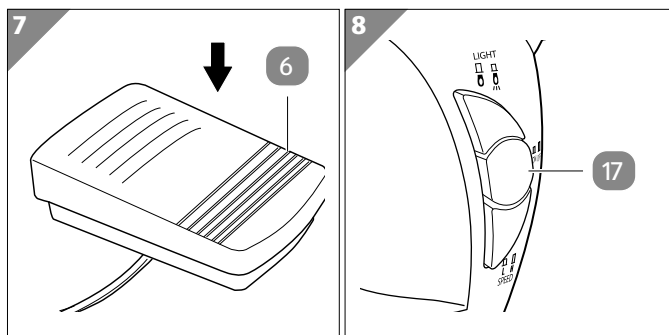
4. Turn the handwheel **14** (anti-clockwise) towards you until the needle penetrates the fabric. Hold the fabric in place (see **Fig. 5**).



5. Select between the two sewing speed levels by pressing the speed switch **18** (see **Fig. 6**).



- Slower sewing (L) is suitable for more precise, demanding work during which the machine is frequently stopped.
- Higher speed (H) is suitable for a long, uninterrupted seam.



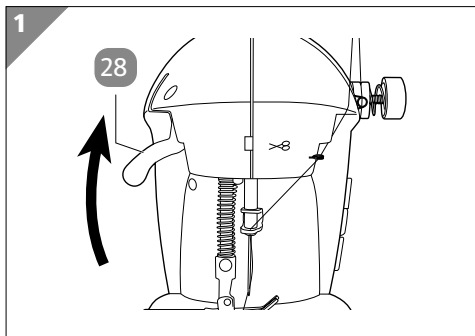
6. Hold the fabric in place and press the foot pedal **6** or the on/off switch **17** to start sewing (see **Fig. 7** and **8**).
7. To stop sewing, release the foot pedal or the on/off switch.



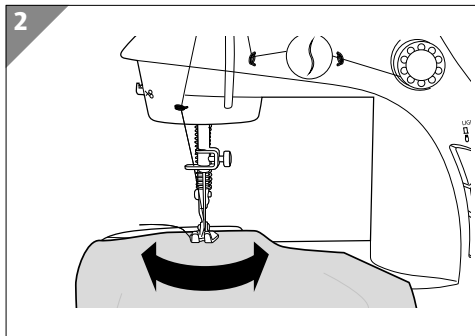
The sewing machine has an integrated light for working in low light conditions. You can switch the light on or off by pressing the light switch **16**.

Changing the sewing direction

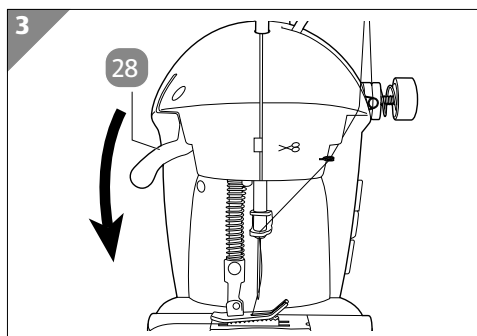
1. Stop the sewing machine where you wish to change the sewing direction, and leave the needle in the fabric.



2. Raise the presser foot **21** by raising the presser foot lever **28** (see **Fig. 1**).



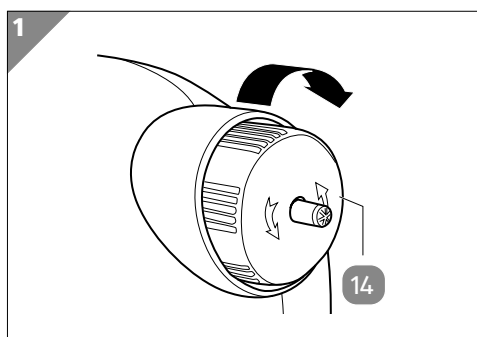
3. Turn the fabric to the new direction using the needle as the pivot point (see **Fig. 2**).



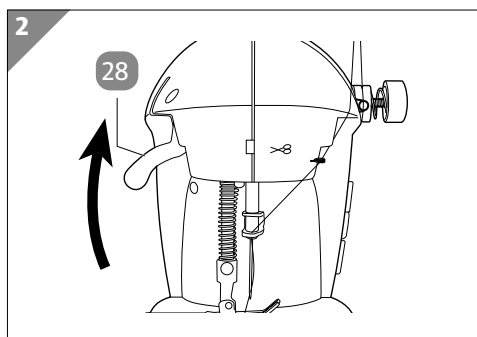
4. Move the presser foot lever **28** down to lower the presser foot and continue sewing in the new direction (see **Fig. 3**).

Ending the sewing process

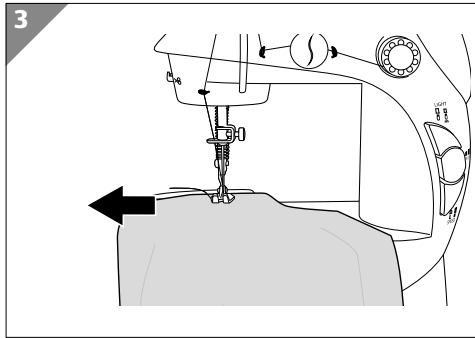
1. Stop the sewing machine by releasing the on/off switch or the foot pedal.



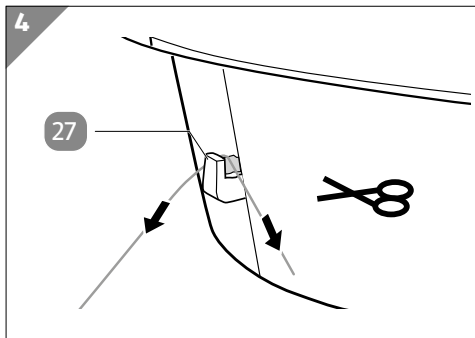
2. Bring the needle **2** to the highest position by turning the handwheel **14** (see **Fig. 1**).



3. Raise the presser foot **21** by raising the presser foot lever **28** (see **Fig. 2**).



4. Carefully pull the fabric out to the left (see **Fig. 3**).

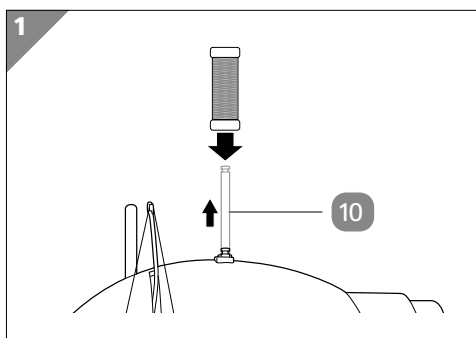


5. Cut both threads about 15 cm from the fabric using the thread cutter **27**. 15 cm of thread is required so that there is enough thread left to secure the stitching by hand (see **Fig. 4**).

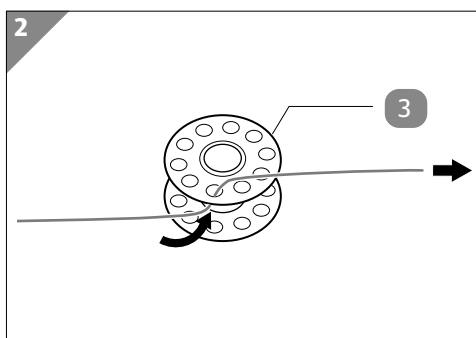
6. Pull approximately 15 cm of thread out towards the rear to prepare the sewing machine for the next sewing process.

Spooling

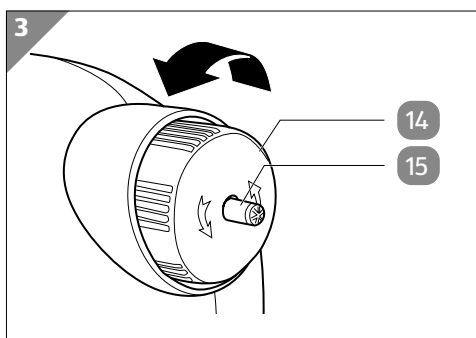
Should the thread on a bobbin **3** run out or if you would like to use another thread, you can wind bobbins quickly and easily using the sewing machine.



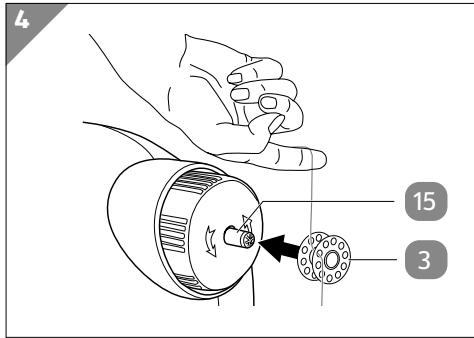
1. Pull the spool holder **10** all the way out and place a spool of thread on it (see **Fig. 1**).



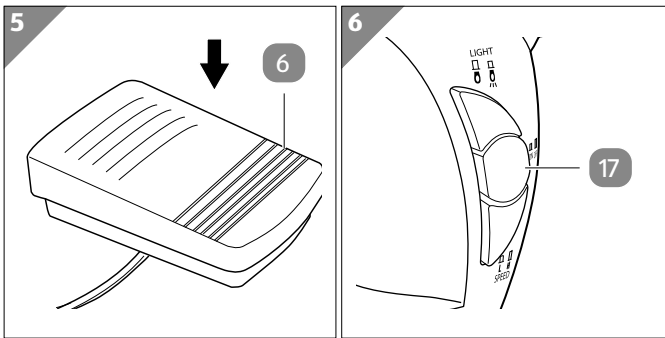
2. Take an empty bobbin **3** and pull the thread through one of the small holes from the inside out, leaving approx. 10 cm protruding (see **Fig. 2**).



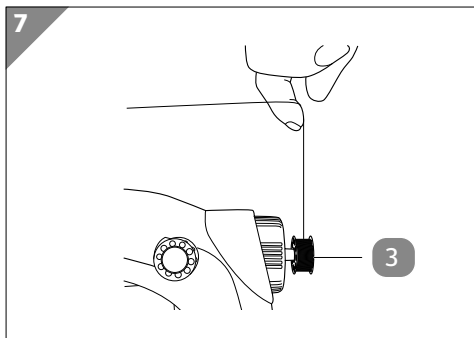
3. Release the bobbin winder **15** from the handwheel **14** by pressing the bobbin winder and simultaneously turning the handwheel anti-clockwise (see **Fig. 3**).



4. Place the bobbin **3** on the bobbin winder **15** until it sits firmly (see **Fig. 4**).



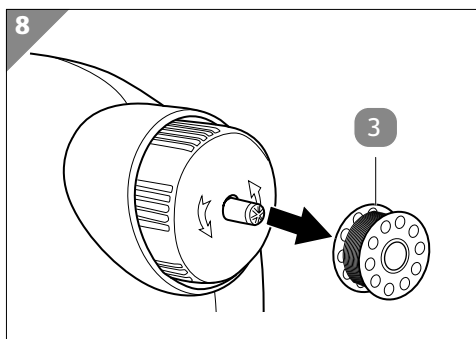
5. Holding the end of the thread firmly with one hand, press the on/off switch **17** or the foot pedal **6**. The handwheel will turn and the thread will be wound onto the bobbin (see **Fig. 5** and **6**).



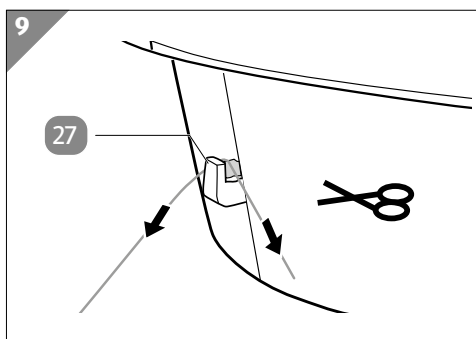
6. While doing so, hold the winding thread between thumb and index finger of your other hand to ensure the bobbin **3** is wound evenly (see **Fig. 7**).

7. Stop after a few rotations and cut the loose end of the thread on the bobbin side.

8. Switch the sewing machine on again until the desired length of thread is wound.



9. Stop the sewing machine and remove the bobbin **3** (see **Fig. 8**).



10. Cut the thread using the thread cutter **27** (see **Fig. 9**).

Changing the needle



CAUTION!

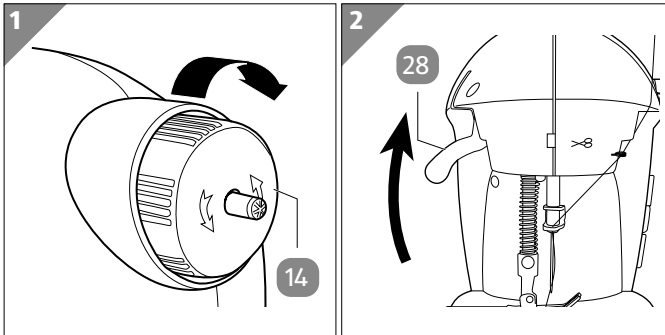
Risk of injury!

Careless and improper handling of the sewing machine may result in injury.

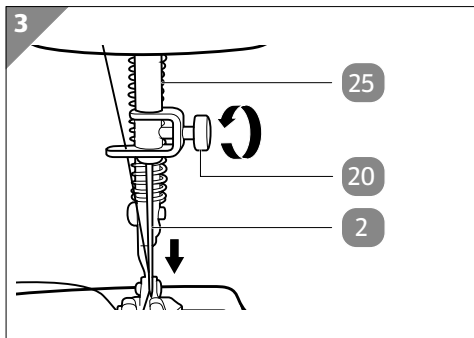
- Ensure the sewing machine is switched off and the mains plug is disconnected from the socket.
- Remove the batteries from the sewing machine before changing the needle.



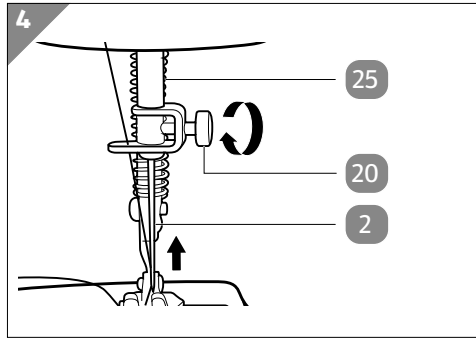
- Sewing machine needles are available in various sizes. Small needles are suitable for fine/delicate fabrics and large needles for heavier fabric. The needles supplied are suitable for average fabric weights. If you would like to sew a particularly heavy or fine fabric, you should purchase and use a suitable sewing machine needle.
- The needle must always be straight and sharp for problem-free sewing. Replace the needle if it is bent, blunt or broken.



1. Bring the needle **2** to the highest position by turning the handwheel **14** clockwise. Lower the presser foot **21** by raising the presser foot lever **28** (see **Fig. 1** and **2**).



2. Hold the needle **2** firmly and loosen the needle thumbscrew **20** anti-clockwise. Where assistance is required, use a tool. Then remove the needle (see **Fig. 3**).



3. Insert the new needle all the way into the needle clamp **25**. Make sure that the flat side of the needle is aligned with the needle thumbscrew (see **Fig. 4**).
4. Hold the needle firmly and tighten the needle thumbscrew.
5. Then in manual operation, use the handwheel to check that the sewing machine sews neat stitches.

Only press the on/off switch **17** or the foot pedal **6** once the needle is correctly inserted and you have tested the stitching in manual operation.

Troubleshooting

Problem	Possible cause	Solution
The sewing machine 1 does not start.	Foot pedal 6 : The foot pedal is incorrectly attached.	Check the connection and re-connect the foot pedal if necessary.
	Battery operation: The batteries 4 have been inserted incorrectly or are empty.	Reinsert the batteries or insert new batteries.
	Mains operation: The mains adapter 7 is incorrectly connected to the socket or the cable is incorrectly connected to the sewing machine.	Check the connections and connect the mains adapter correctly if necessary.
	The socket is defective.	Try another socket. Check the fuse of your mains connection.

Problem	Possible cause	Solution
The thread breaks.	The upper/bobbin thread is incorrectly threaded.	Re-thread the threads.
	The upper/bobbin thread is snagged.	Re-thread the threads.
	The upper thread tension is too high.	Relax the tension using the upper thread tensioner 11 .
	The spool of thread and/or bobbin 3 was positioned incorrectly.	Re-position the bobbin and/or spool of thread.
	The needle 2 is bent or blunt.	Change the needle.
	The needle size/denier/fabric combination is incorrect.	Change the needle and/or the thread.
	An incorrect bobbin was used.	Only use the bobbins supplied.
There is a loop in the seam.	The thread tension is incorrect.	Adjust the upper thread tension.
	The presser foot 21 is not pressed down.	Press the presser foot lever 28 down to lower the presser foot.
Stitches are skipped.	The needle was incorrectly inserted.	Re-insert the needle.
	An unsuitable or defective needle is used.	Use another needle.
	The needle size/denier/fabric combination is incorrect.	Change the needle and/or the thread.
	There are fibres or lint underneath the needle plate 23 .	Clean the needle plate with a fine brush.
	The thread guidance is incorrect.	Re-thread the threads.
	The presser foot is not pressed down.	Lower the presser foot by lowering the presser foot lever.

Problem	Possible cause	Solution
The fabric puckers.	The upper thread tension is too high.	Relax the upper thread tension.
	The thread guidance is incorrect.	Re-thread the threads.
	The incorrect needle is used.	Change the needle.
	The needle size/denier/fabric combination is incorrect.	Change the needle and/or the thread.
The fabric is incorrectly transported.	The needle size/denier/fabric combination is incorrect.	Change the needle and/or the thread.
	An unsuitable or defective needle is used.	Change the needle.
	The thread is snagged.	Re-thread the threads.
The needle breaks.	The needle was inserted incorrectly.	Make sure you insert the needle correctly.
	An inferior needle has been used.	Use another needle.
	The needle size/denier/fabric combination is incorrect.	Change the needle and/or the thread.
	The fabric is pulled too tight.	Allow the sewing machine to move the fabric along. Do not pull on the fabric.

Cleaning

NOTICE!

Risk of short circuit!

Water or other liquids that have penetrated the housing may cause a short circuit.

- Never immerse the sewing machine in water or other liquids.
- Make sure that no water or other liquids get into the housing.

NOTICE!

Risk of damage!

Improper handling of the sewing machine may damage it.

- Do not use any harsh cleaners, brushes with metal or nylon bristles, or sharp or metallic cleaning utensils such as knives, hard scrapers and the like. They could damage the surfaces.
- Never put the sewing machine in a dishwasher. It would be destroyed as a result.
 1. Before cleaning the sewing machine, unplug the mains adapter **7** from the socket and remove the batteries from the battery compartment **4**.
 2. Allow the sewing machine **1** to cool down completely.
 3. Remove any accumulated fabric fibres and loose threads from the bobbin compartment **22** or from the needle plate **23** with a fine brush.
 4. If necessary, wipe the housing with a damp cloth and then wipe dry.

Storage


All parts must be completely dry before being stored.

1. Unplug the mains adapter **7** from the socket and remove the batteries **4** from the battery compartment **19**.
2. Unplug the foot pedal **6** from the foot pedal connection **30**.
3. Push the spool holder **10** into the sewing machine.
4. Place a scrap of fabric underneath the presser foot **21** and lower it.
5. Store the sewing machine and the accessories in the original packaging, keep everything out of reach of children and animals, and store in a dry place at temperatures between 5 °C and 20 °C (room temperature)

Technical data

Sewing machine

Product name:	Mini-Sewing Machine
Model:	MS-201
Colour:	White with grey, white with red, white with purple
Power supply:	DC 6 V, 800 mA
Batteries:	4× 1.5 V batteries, Type AA (Activ Energy)

Protection class:	II 
Casing material:	ABS
Mains cord length:	180 cm
Stitches per minute:	approx. 280
Weight:	640 g
Dimensions (W × D × H):	20.5 × 11.8 × 20 cm
Article number:	808026

Mains adapter

Model:	CZH008N060080AUWP
Input voltage:	100-240 V~
Input alternating current frequency:	50/60 Hz
Output voltage:	6.0 V
Output current:	0.8 A
Output power:	4.8 W

Disposal

Disposing of the packaging

- Sort the packaging before you dispose of it. Dispose of paperboard and cardboard with the recycled paper service and wrappings with the appropriate collection service.

Disposing of the sewing machine

- Should the sewing machine no longer be capable of being used at some point in time, **dispose of it in accordance with the regulations in force in your city or state.**
- Please ensure your recycling information applies to the local regulations.



MINI-SEWING MACHINE



Warranty Details

**REGISTER YOUR PURCHASE AT www.aldi.com.au/en/about-aldi/product-registration/
TO KEEP UP-TO-DATE WITH IMPORTANT PRODUCT INFORMATION**

The product is guaranteed to be free from defects in workmanship and parts for a period of 36 months (dependant on product) from the date of purchase. Defects that occur within this warranty period, under normal use and care, will be repaired, replaced or refunded at our discretion. The benefits conferred by this warranty are in addition to all rights and remedies in respect of the product that the consumer has under the Competition and Consumer Act 2010 and similar state and territory laws.

Our goods come with guarantees that cannot be excluded under the Australian Consumer Law. You are entitled to a replacement or refund for a major failure and for compensation for any other reasonably foreseeable loss or damage. You are also entitled to have the goods repaired or replaced if the goods fail to be of acceptable quality and the failure does not amount to a major failure.

AFTER SALES SUPPORT

  1800 898 750

 www.aldi.com.au

3
YEAR
WARRANTY



MINI-SEWING MACHINE

Repair and Refurbished Goods or Parts Notice

**REGISTER YOUR PURCHASE AT www.aldi.com.au/en/about-aldi/product-registration/
TO KEEP UP-TO-DATE WITH IMPORTANT PRODUCT INFORMATION**

Unfortunately, from time to time, faulty products are manufactured which need to be returned to the Supplier for repair.

Please be aware that if your product is capable of retaining user-generated data (such as files stored on a computer hard drive, telephone numbers stored on a mobile telephone, songs stored on a portable media player, games saved on a games console or files stored on a USB memory stick) during the process of repair, some or all of your stored data may be lost.

We recommend you save this data elsewhere prior to sending the product for repair.

You should also be aware that rather than repairing goods, we may replace them with refurbished goods of the same type or use refurbished parts in the repair process.

Please be assured though, refurbished parts or replacements are only used where they meet ALDI's stringent quality specifications.

If at any time you feel your repair is being handled unsatisfactorily, you may escalate your complaint. Please telephone us on SUPPLIER TELEPHONE or write to us at:



Install + Fix Solutions

Unit 1, 9 Kingsbury Street, Brendale, QLD Australia 4500

1800 898 750 (Monday–Friday, 8:30 am–6 pm AEST)

service@wkfe.com.hk

AFTER SALES SUPPORT

  1800 898 750

 www.aldi.com.au



ALDI guarantees that our exclusive brand products are developed to our stringent quality specifications. If you are not entirely satisfied with this product, please return it to the nearest ALDI store within 60 days from the date of purchase, for a full refund or replacement, or take advantage of our after sales support by calling the supplier's Customer Service Hotline.



Made in China

EASY HOME® is a registered trademark of ALDI Stores

DISTRIBUTED BY:

ALDI STORES

1 SARGENTS ROAD

MINCHINBURY NSW 2770

www.aldi.com.au

AFTER SALES SUPPORT

808026 



 1800 898 750



www.aldi.com.au

MODEL:
MS-201

09/2021

3
YEAR
WARRANTY